

FITTING INSTRUCTIONS

570500 - Universal Hitch Receiver

The Trojan Universal Hitch Receiver has been designed to mount accessories such as bike carriers onto caravan / trailer drawbars or other suitable chassis structures. To ensure many years of use from the product, please ensure these instructions are followed and retain them for future reference.

WARNING:

Maximum Weight Rating – The maximum weight of all accessories supported by this product must NOT exceed 80kg. The 80kg limit is a GROSS limit and MUST include the accessory (such as the bicycle carrier.)

Not for Off-Road Use: This product is not intended for off-road applications. Using it in such conditions may lead to damage or failure and possible injury.

No Towing or Recovery: Do not use this product for towing or recovery purposes. It is designed exclusively for mounting accessories.

Compliance with Legislation: Always adhere to state legislation when using this product and consider the effect of using this accessory on the loading and ball weight of the trailer or caravan. Excess weight mounted onto the rear of a caravan can cause instability when towing.

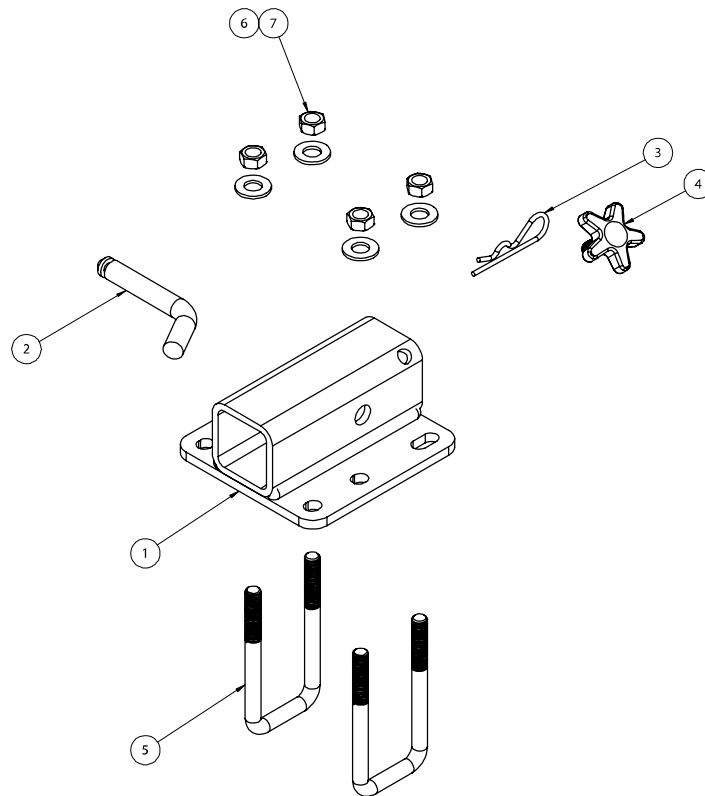
Fitting Instructions

1. Place the high tensile M12 U-bolts around the crossbar/drawbar. Ensure the selected U-bolts are not loose around the crossbar/drawbar. Secure with M12 nuts and washers to finger tight then tighten evenly using a torque wrench. Ensure bolts are **Torqued to 77Nm** to avoid instability or rattle.
2. Place accessory into the hitch. Insert provided hitch pin through the accessory hitch and accessory. Secure by inserting the R-Clip into the hole in the hitch pin.
3. Tighten the stabiliser thumbscrew to increase stability.
4. Ensure that all hardware is fastened to correct torque as specified in this fitting instruction. All fasteners supplied with this product are used to achieve a specified clamp loading. If replacement is required ensure that fasteners of the same grade and class are used.

NOTE: Achieving correct torque is critical to proper installation and responsibility of the installer. Product failure attributed to tension issues from over tightening or under tightening are not covered by Trojan warranty.

For further information or guidance please contact Trojan Customer Service.

FITTING INSTRUCTIONS



ITEM	DESCRIPTION	QTY
1	UNIVERSAL HITCH RECEIVER	1
2	PULL PIN	1
3	R CLIP	1
4	STABLISER THUMB HANDLE	1
5	U BOLT SQUARE M12x51x125	2
6	WASHER PLAIN M12x27.5x2.5mm	4
7	NUT NYLOC M12x1.75P ZINC GR8	4